



For inquiry:
Email: sales@seahover.com

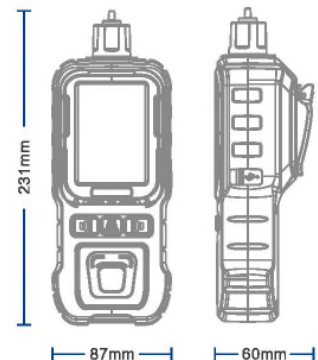


K-600M MARINE 5-IN-1 GAS DETECTOR

SIL Ex FC RoHS CE

Technical Parameters

Alarm method:	sound/light/vibration/display/TWA/STEL	Working Environment:	-10°C~50°C, < 95%RH
Response Time:	$T_{90} \leq 30s$	Sensor life:	2 years
Charging Time:	< 5 hours	Display:	3.5 Inch color LCD Screen
Working time :	≥ 8 hours	Product Size:	231mm*87mm*60mm
System language:	Support Chinese and English switching; other languages can be customized	Pumping Type:	Pump-suction type



K-600M

Portable Multi-Gas Detector

The K-600M Portable Multi-Gas Detector is specially configured for marine applications, providing reliable and continuous monitoring of CO, H₂S, O₂, CO₂, and CH₄ in enclosed shipboard spaces such as engine rooms, cargo holds, pump rooms, ballast tanks, and confined entry areas.

Equipped with dual infrared (NDIR) sensors for CO₂ and CH₄ detection, combined with high-performance electrochemical sensors for O₂, CO, and H₂S, the K-600M ensures accurate, stable, and long-lasting performance in harsh marine conditions.



Product advantages

- Dual Infrared (NDIR) Technology for CO₂ & CH₄
- Sound, light, vibration, and display alarms
- Built-in Pump with 6-Level Adjustable Flow
- TWA/STEL alarm, fall alarm, and pump failure alarm
- Simultaneous detection of CO, H₂S, O₂, CO₂, CH₄, plus optional PM2.5/PM10
- 4000mAh Rechargeable Battery

Measuring gases: universal for marine machinery

Gas	Sensor Type	Range	Low Alarm	High Alarm
CO	Electrochemical	0-1000 ppm	50 ppm	150 ppm
H ₂ S	Electrochemical	0-100 ppm	10 ppm	35 ppm
O ₂	Electrochemical	0-30% vol	19.5% vol	23.5% vol
CO ₂	NDIR(Dual IR)	0~10000 ppm	1000 ppm	2000 ppm
CH ₄	NDIR(Dual IR)	0-100% LEL	20% LEL	50% LEL



Sea Hover Technologies Pte Ltd

48 Toh Guan Road East, #04-154/155 Enterprise Hub, Singapore 608586

Tel: +65 6267 8081 | Email: sales@seahover.com

Website: www.seahover.com